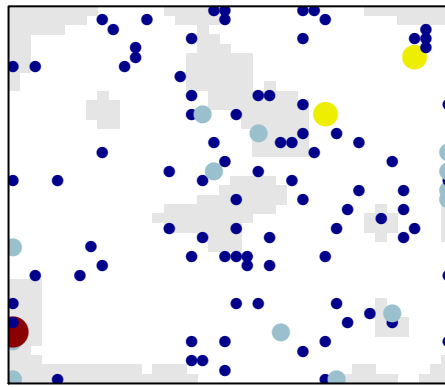
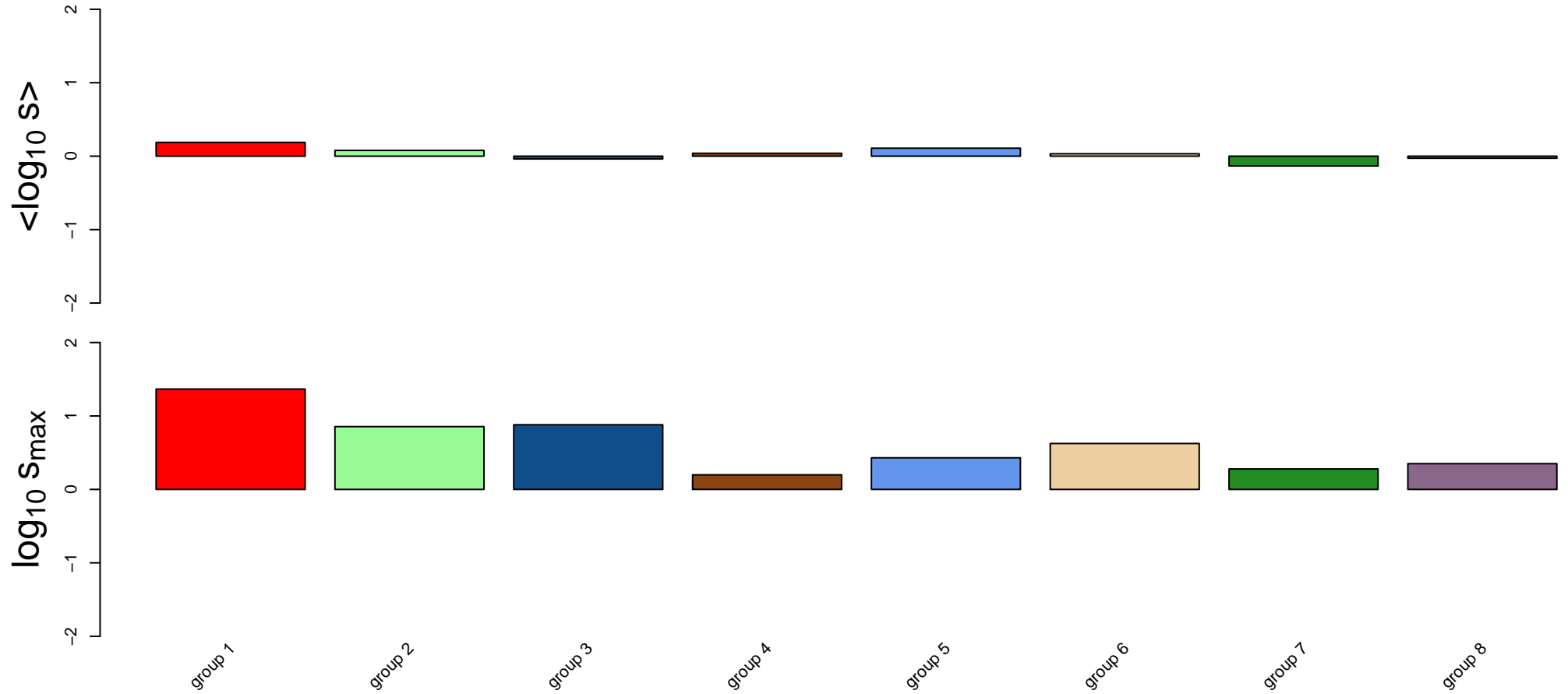
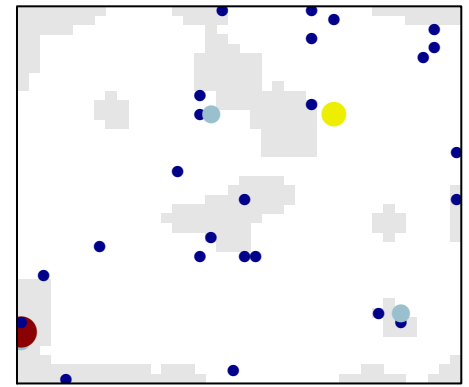


Basal cell carcinoma

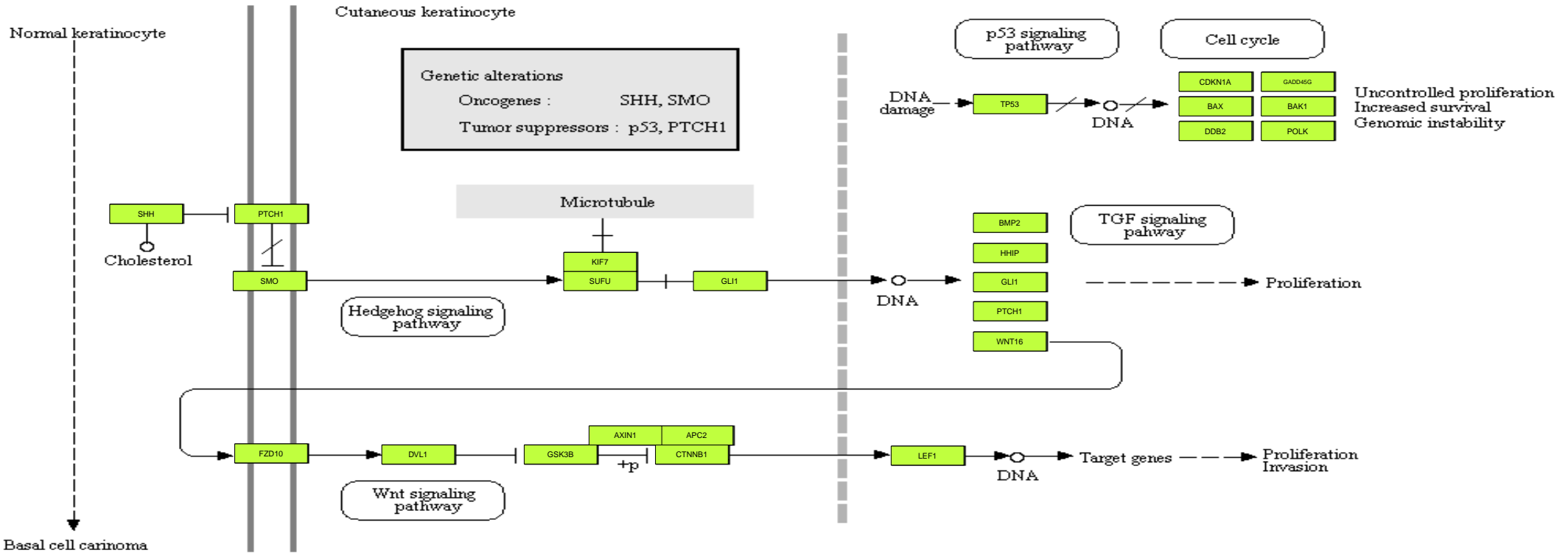
all genes



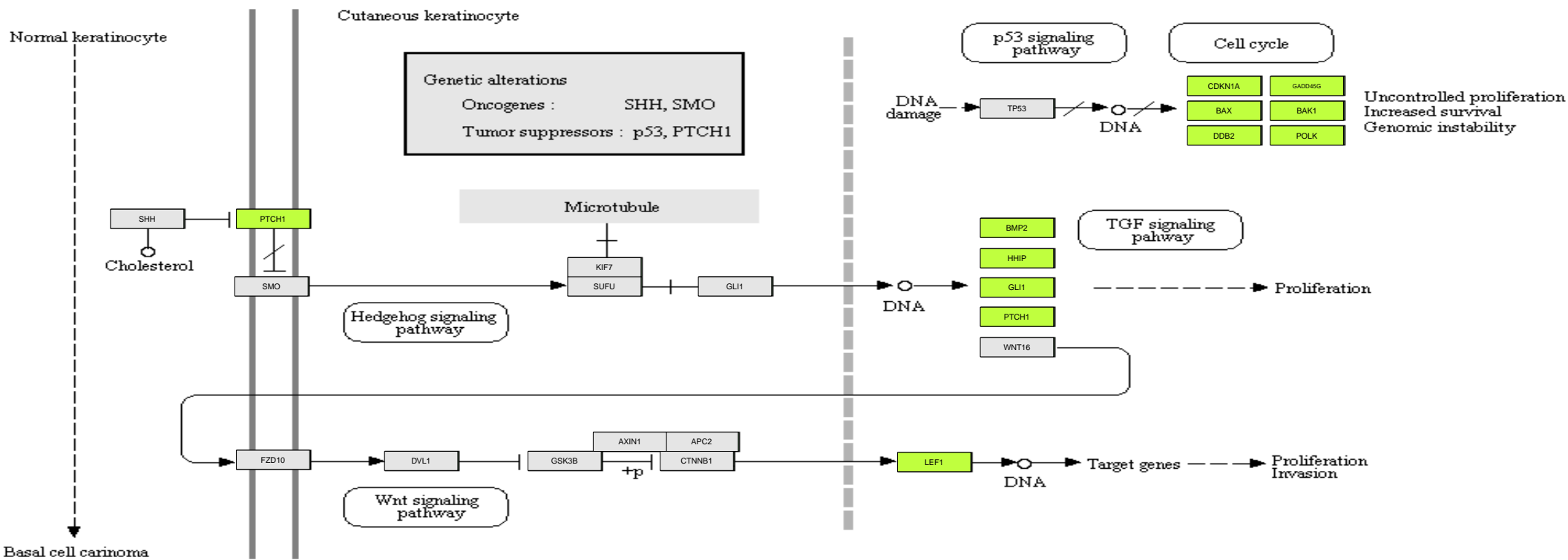
sink node genes



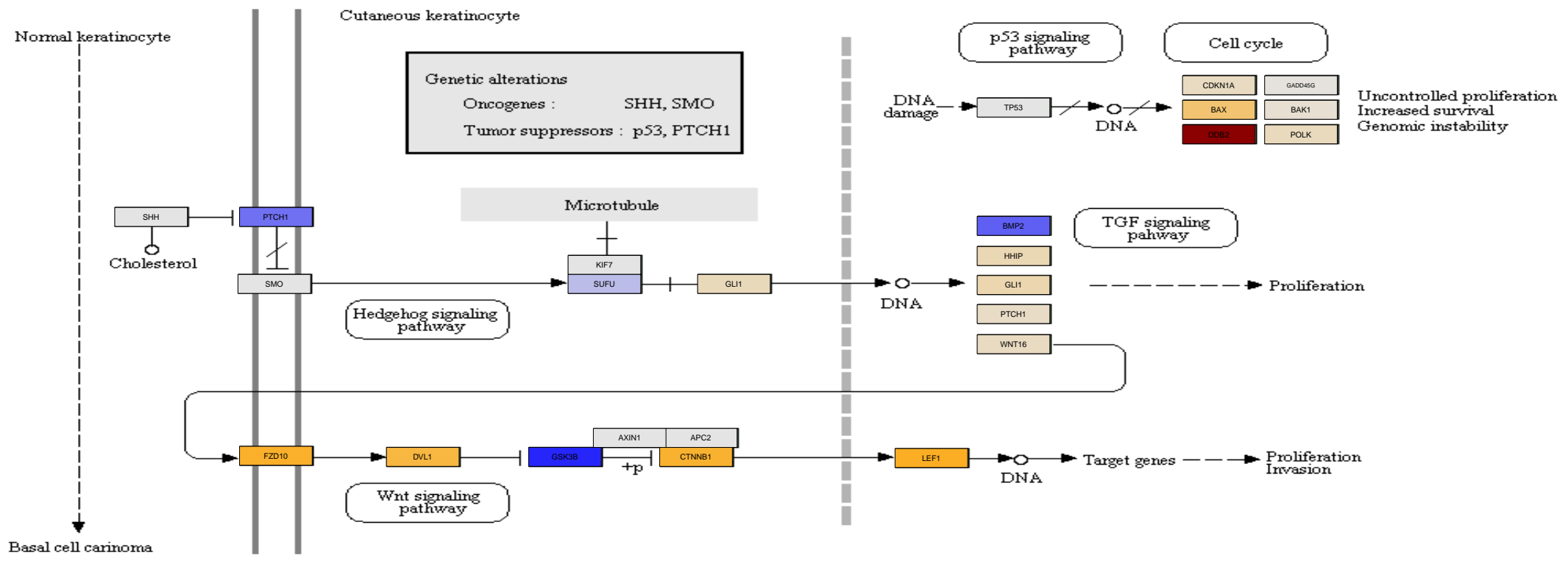
Basal_cell_carcinoma genes with data



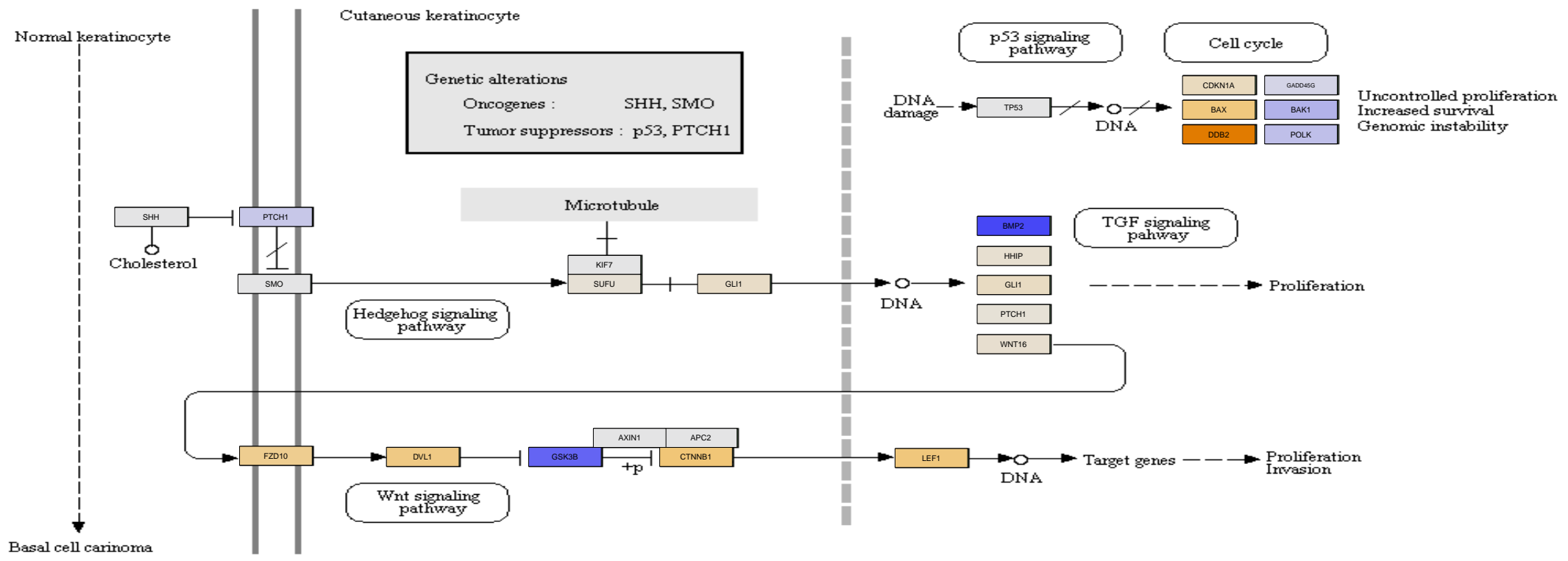
Basal_cell_carcinoma
sink nodes



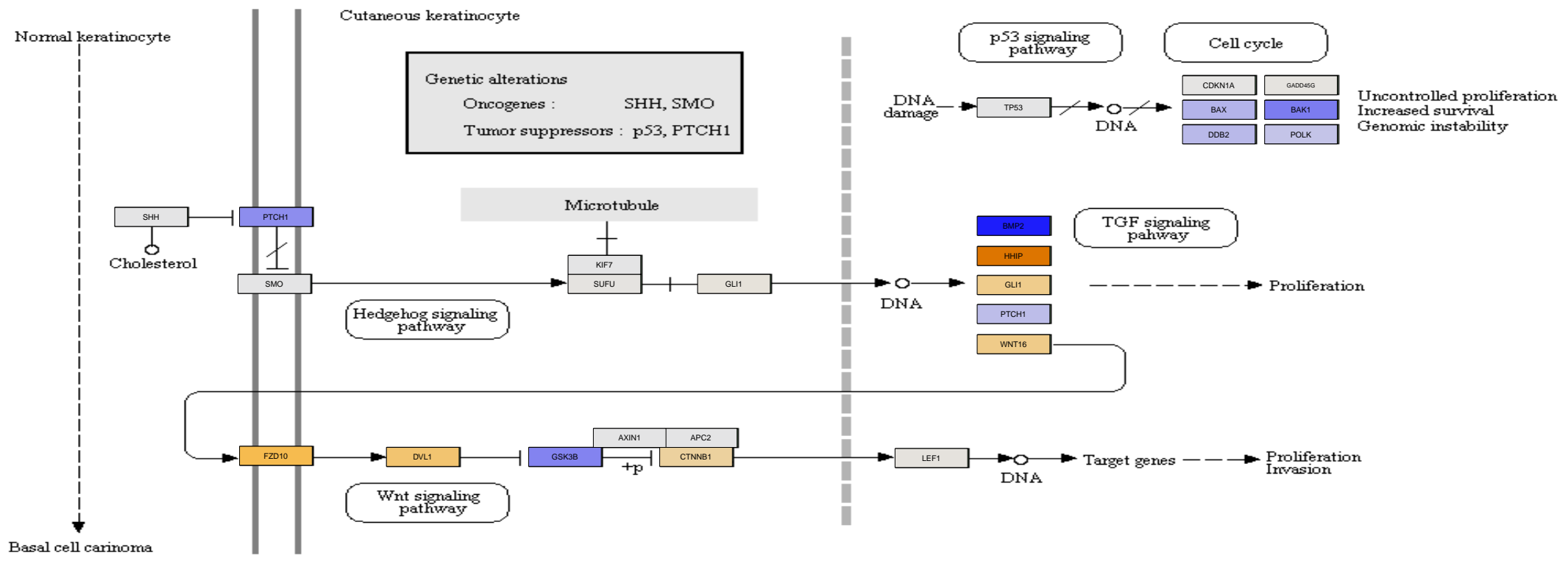
Basal_cell_carcinoma group 1



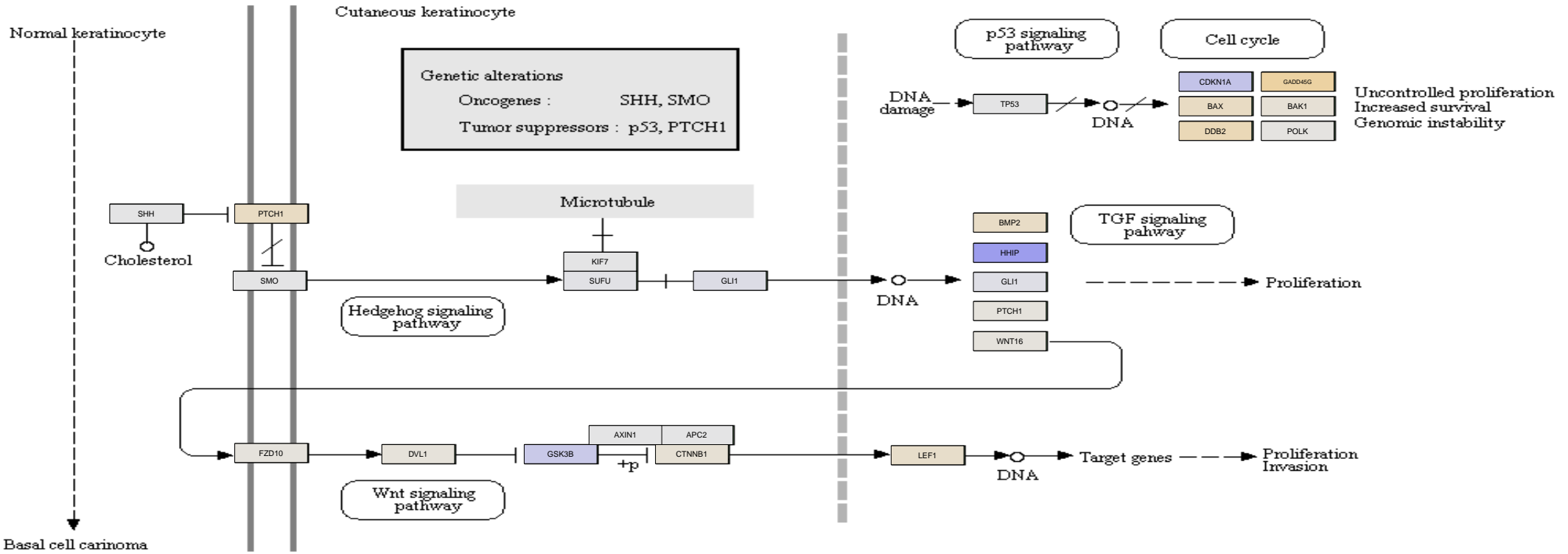
Basal_cell_carcinoma group 2



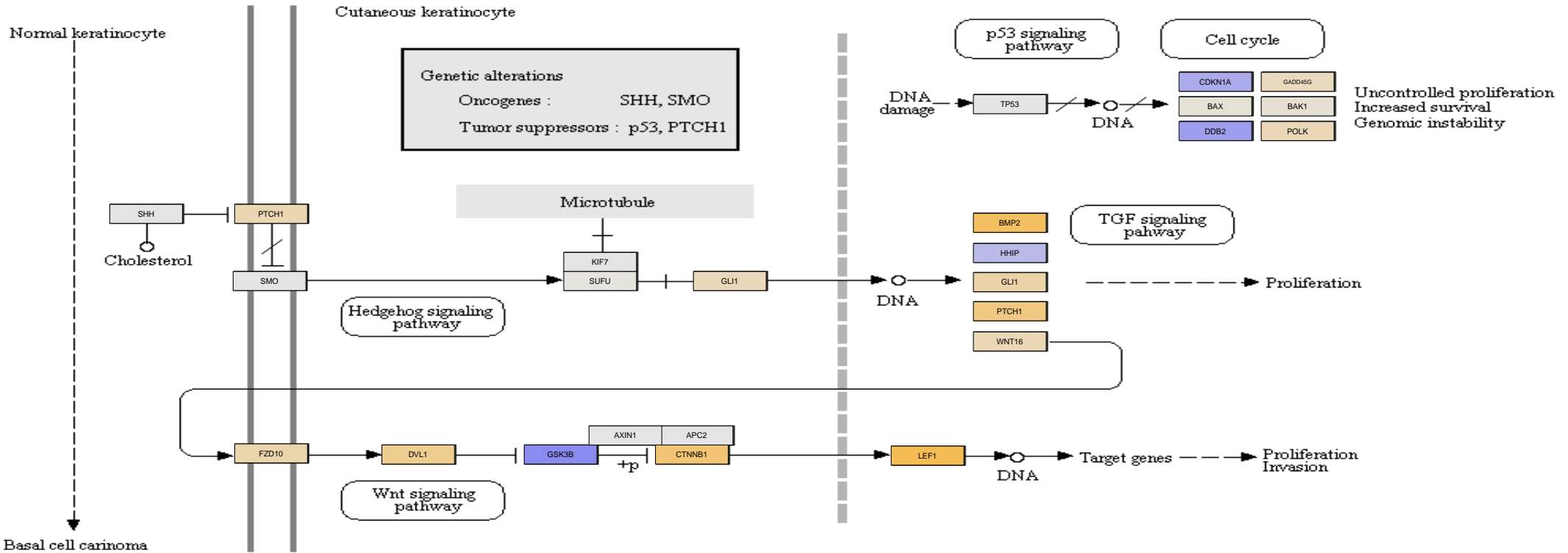
Basal_cell_carcinoma group 3



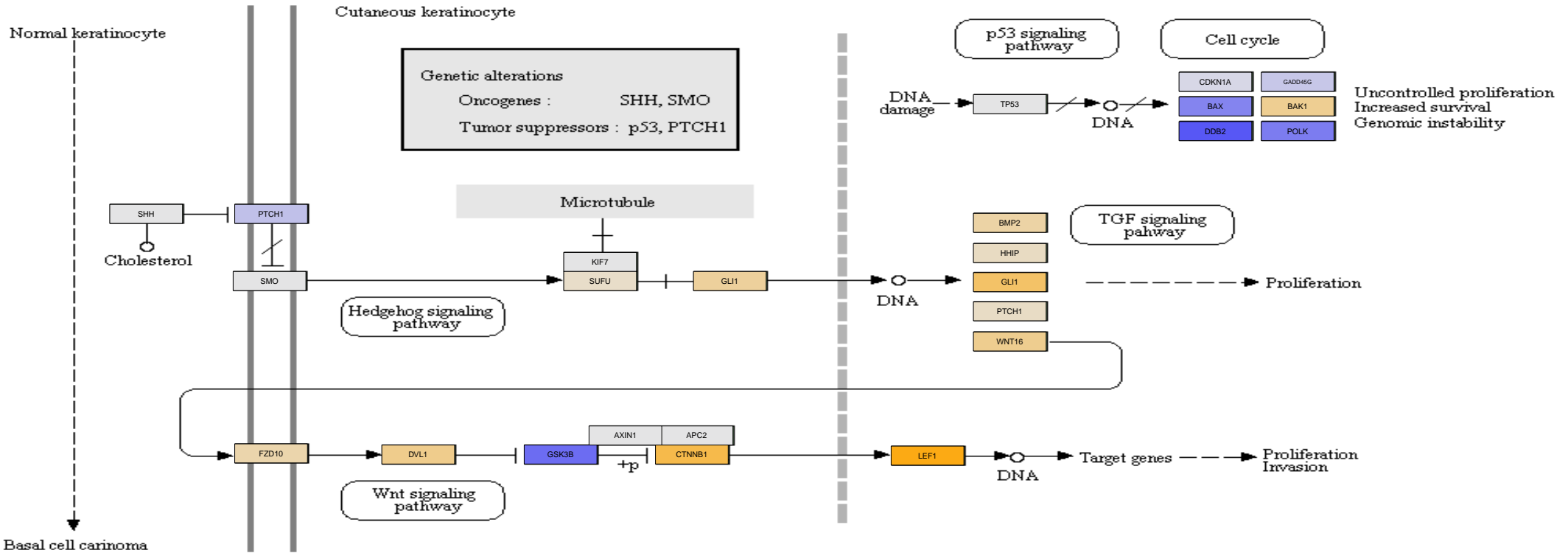
Basal_cell_carcinoma group 4



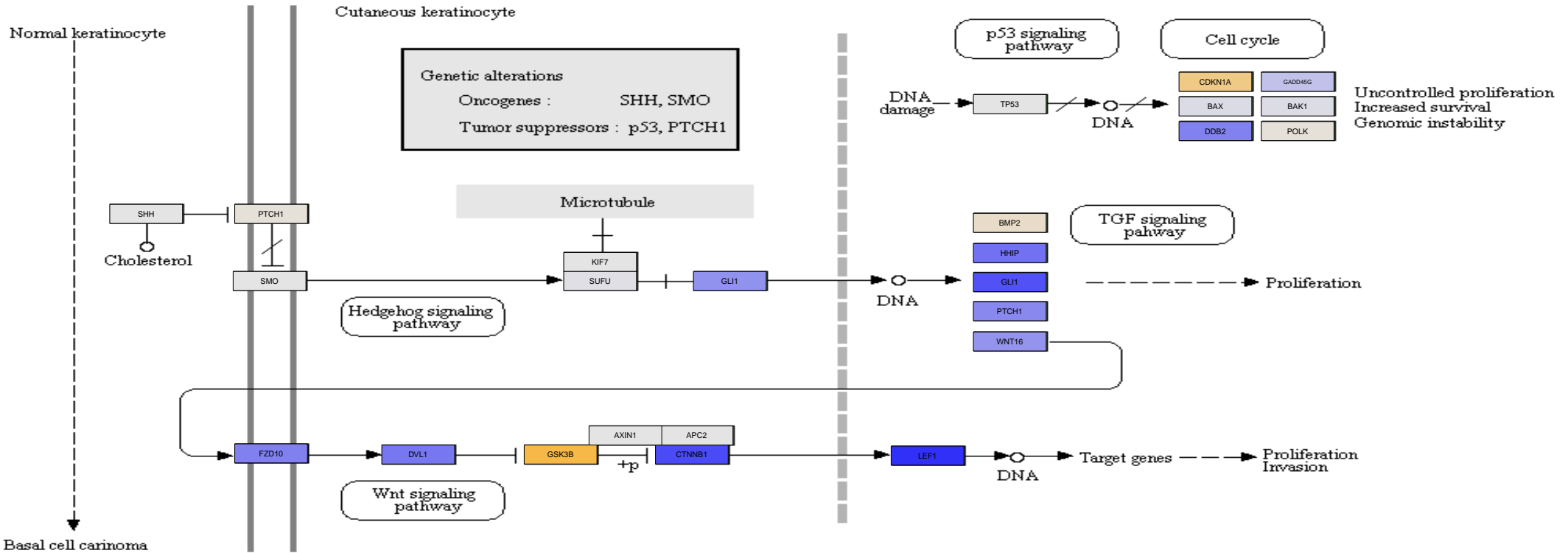
Basal_cell_carcinoma group 5



Basal_cell_carcinoma group 6



Basal_cell_carcinoma group 7



Basal_cell_carcinoma group 8

